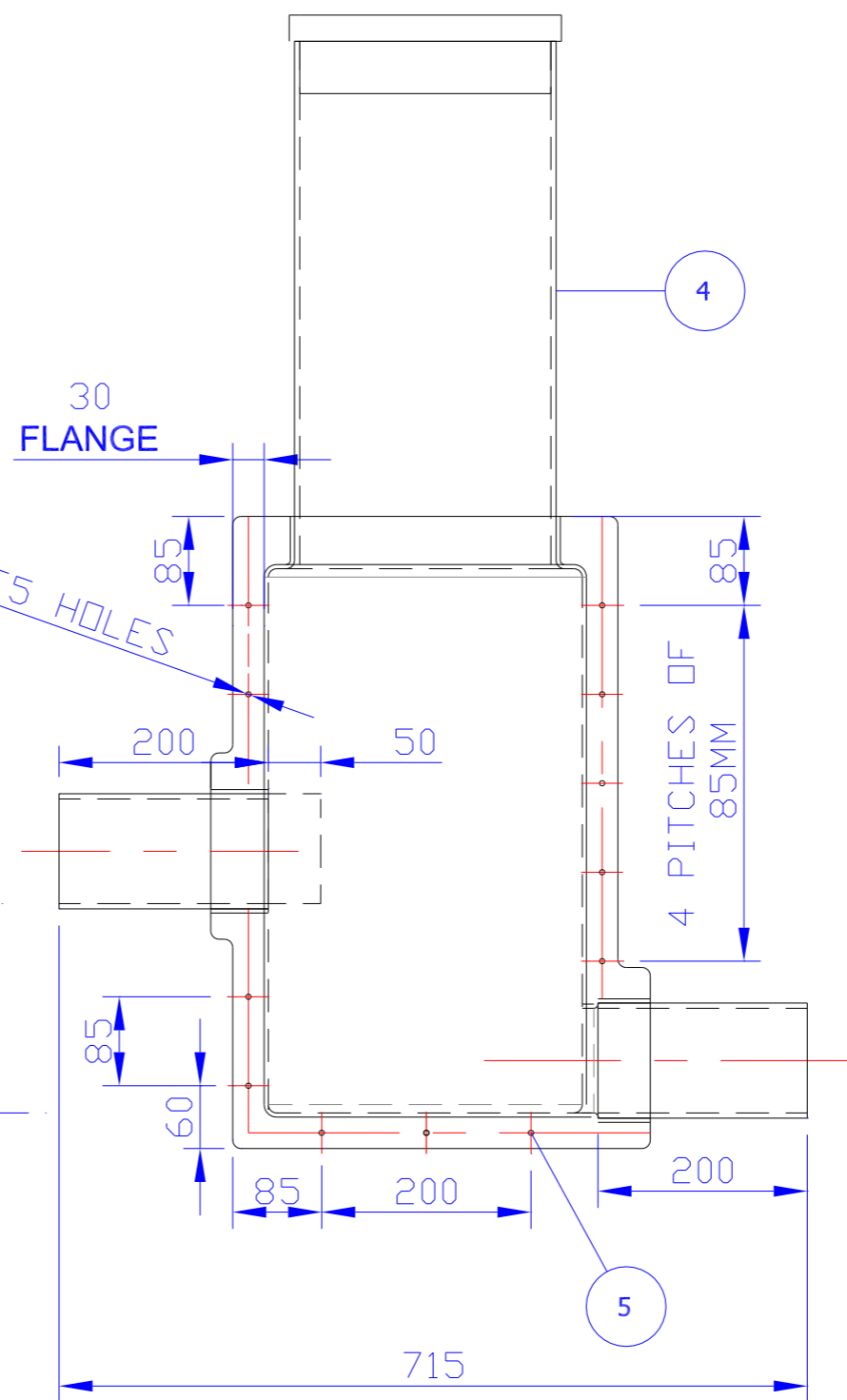
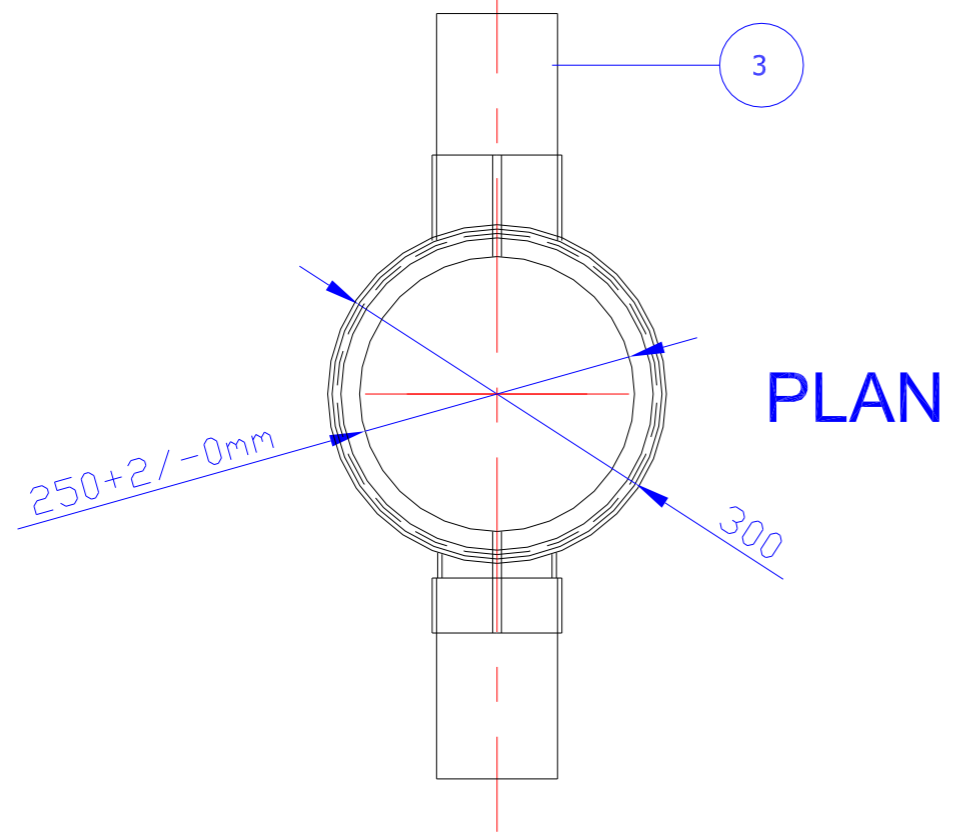


**INLET  
110Ø  
SOIL PIPE  
TO BS4660**



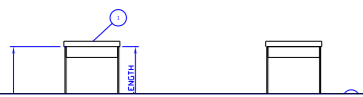
**OUTLET  
110Ø  
SOIL PIPE  
TO BS4660**



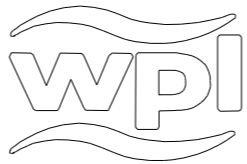
DRAWING NUMBER  
DD-

IF IN DOUBT, ASK

DO NOT SCALE



DESIGN	ISSUE	DATE	CHANGE	INITIAL
AS	A	DD/MM/YY	NEW DRAWING	
CHECKED				
AS				
DRAWN				
ML				

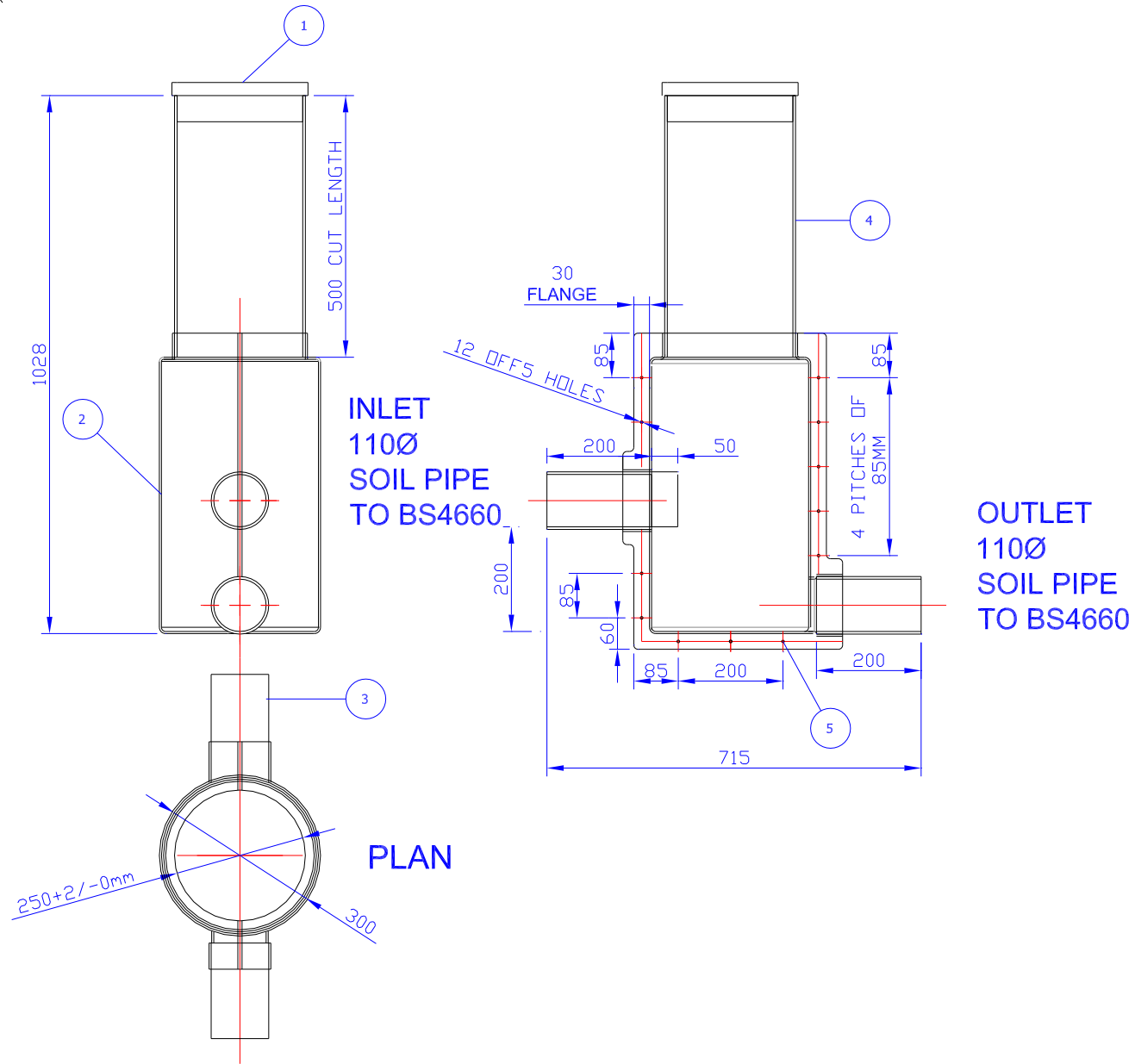


WPL LIMITED  
 1 & 2 ASTON ROAD  
 WATERLOOVILLE  
 HAMPSHIRE  
 PO7 7UX  
 TEL: (02392) 242600  
 FAX: (02392) 242624  
 e-mail: engineering@wpl.co.uk

© This drawing is the copyright of WPL Ltd

SCALE	N.T.S.	DIM'S IN	mm	PAPER SIZE	A4
TOLERANCES	+/- 10mm				
MATERIAL	GRP				
FINISH	INTERNAL: BLUE 16 C 33 TO BS4800 DK GREEN 14 C 39 TO BS4800				

TITLE	
DRAWING NUMBER	DD-



DESIGN	ISSUE	DATE	CHANGE	INITIAL
KDS	A	26-09-06	NEW DRAWING	
CHECKED				
GT				
DRAWN				
KDS				



WPL LIMITED  
1 & 2 ASTON ROAD  
WATERLOOVILLE  
HAMPSHIRE  
PO7 7UX  
TEL: (02392) 242600  
FAX: (02392) 242624  
e-mail: engineering@wpl.co.uk

© This drawing is the copyright of WPL Ltd

SCALE	N.T.S.	DIM'S IN	mm	PAPER SIZE	A4
TOLERANCES	+1mm/- 0mm				
MATERIAL	GRP				
FINISH	INTERNAL: BLUE 16 C 33 TO BS4800 DK GREEN 14 C 39 TO BS4800				

TITLE	SAMPLE CHAMBER FOR DMS RANGE INVERT COMPATABLE
DRAWING NUMBER	DD-651-952