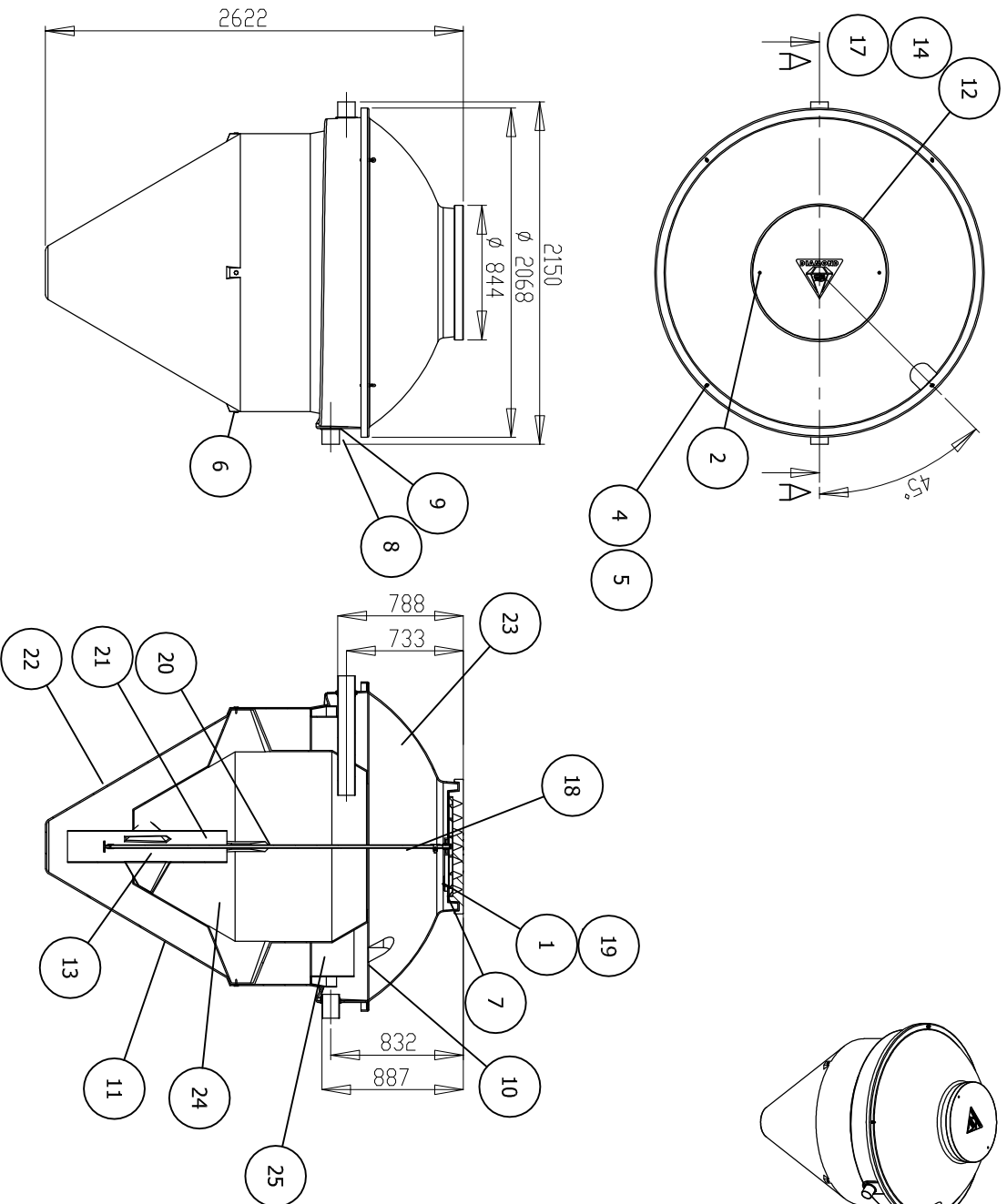


Item	Component Description	Quantity
1	02-800-000 WASHER FLAT M8 S/S - vmi stock	2
2	03-110-050 M10 x 50 Hex Head Stainless Steel Set Bolt - vmi stock	2
3	04-010-000 NUT M10 GALVANISED - vmi stock	4
4	05-010-001 M10 GALVANISED WASHER 30mm od (14327) - vmi stock	16
5	06-110-040 BOLT HT HEX M10 x 40mm GALVANISED - vmi stock	8
6	06-116-072 HEX SELF TAPPER C/W BONDED WASHER A2 6X50	4
7	07-605-008 M8 x 20 CROSSED FAN HEAD SCREW IN NYLON COLOUR NATURAL	2
8	20-110-050 PIPE FLAIN END 110mm SEWER PVC	0.9
9	20-110-051 GRCOMMET TO SUIT 110mm PIPE	2
10	20-210-501 SEALING GASKET ADHESIVE SPONGE FOR DMS3	1
11	30-100-120 GELCOAT GREEN 14-C-39	3
12	70-010-125 RIVET 4.8 x 14mm S/S (GRIP RANGE 7.0-9.0)	2
13	70-010-126 Steel Zinc Plated Dome Head Rivets - 5.0 x 30mm	7
14	80-000-097 M10 X 13 HEADED WOODCERT	2
15	80-100-049 M10 DIN 582 EYENULT (TESTED AND CERTIFIED) - 17310	4
16	80-100-091 LABEL DIAMOND (330 x 950mm) 3 COLOURS/GLASS WHITE HI-TACK FINISH SELF ADHESIVE	2
17	80-100-092 Serial number plate aluminum (50 x 20 x 0.5mm) 6 digit s/no. letters 3mm high, 2 holes	1
18	DD-652-003 Rota Diamond (A) Diffuser Pipe Support Bridge Issue D	1
19	DD-652-105 Diamond (A) Rota mould Lid Issue A	1
20	DD-652-115 Rota Diamond (B) Diffuser Pipe Assembly Issue A	1
21	DD-652-201 Diamond A Rotamould Draft Tube Issue A	1
22	DD-652-270 Diamond B carcass For WPL Manufacture	1
23	DD-652-502 Rota Mould Diamond B Cover	1
24	DD-652-503 Rota Mould Diamond B Aviation Chamber	1
25	DD-652-504 Rota Mould Diamond B Wier	1



SECTION A-A
SCALE 1 : 30

ISSUE	DATE	CHANGE	NAME	UNLESS OTHERWISE SPECIFIED, DIMENSIONS ARE IN MILLIMETERS	DATE
A	19/01/0	NEW DRAWING	PB	SURFACE FINISH TOLERANCES ANGLES	19/01/0
B	18/09/12	INLET/OUTLET INVERT DIMS ADDED	PB		19/01/0
					19/01/0
					19/01/0
					19/01/0

NAME	DATE	FINISH
BRAIN	19/01/0	DK GREEN 14 C 39
PB	19/01/0	
DESIGN	19/01/0	

WPL LIMITED 1 & 2 ASTON ROAD MATERIALS ROTAMOULD TEL: (02392) 242600 FAX: (02392) 242624 e-mail: engineering@wpl.co.uk	<p>© This drawing is the copyright of WPL Ltd</p> <p>SEE PARTS LIST</p> <p>DD-652-511</p>	<p>DWG NO</p> <p>DD-652-511</p> <p>SHEET 1 OF 1</p>	<p>A3</p> <p>REV</p> <p>A</p>
--	---	---	-------------------------------