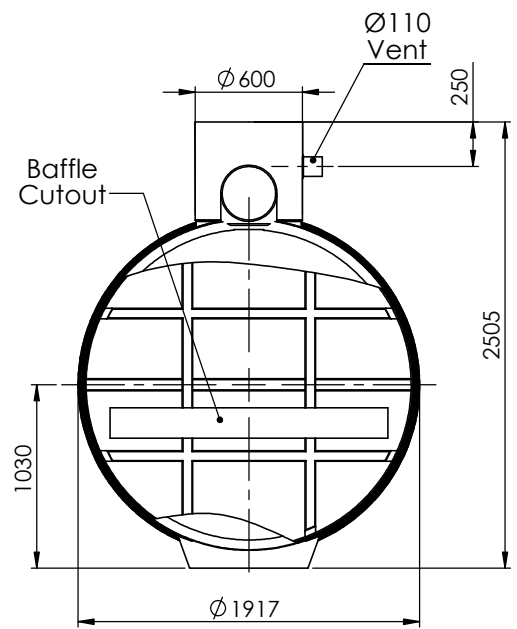
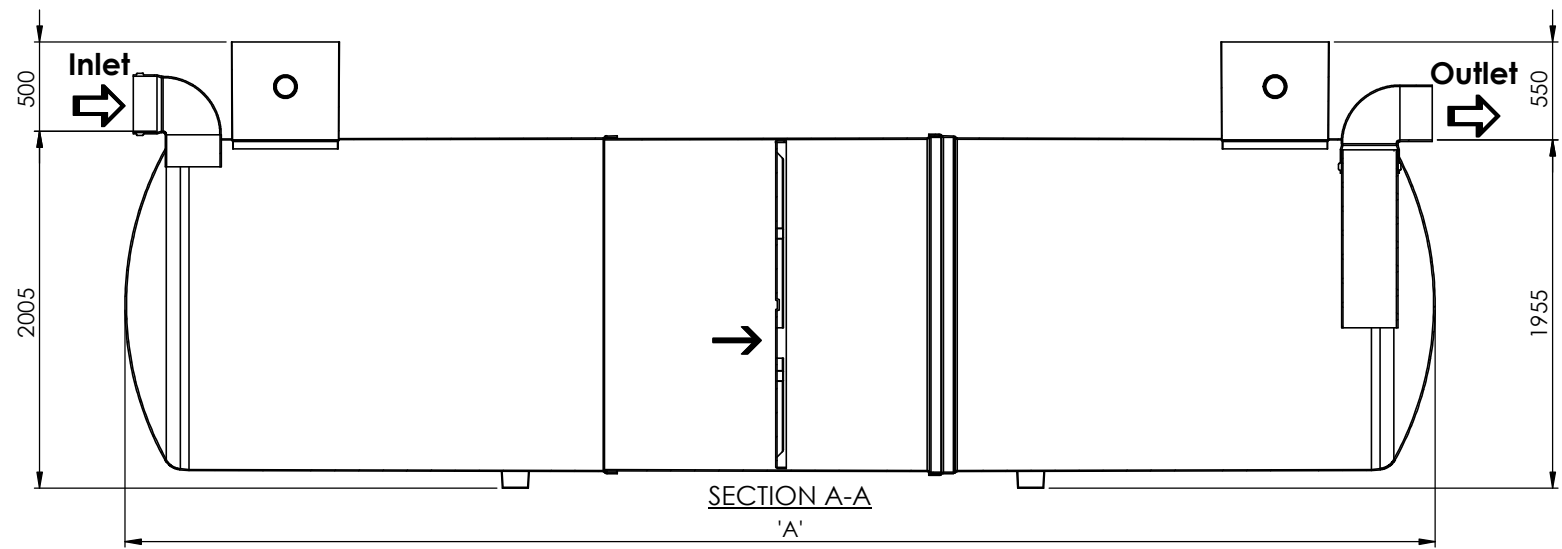
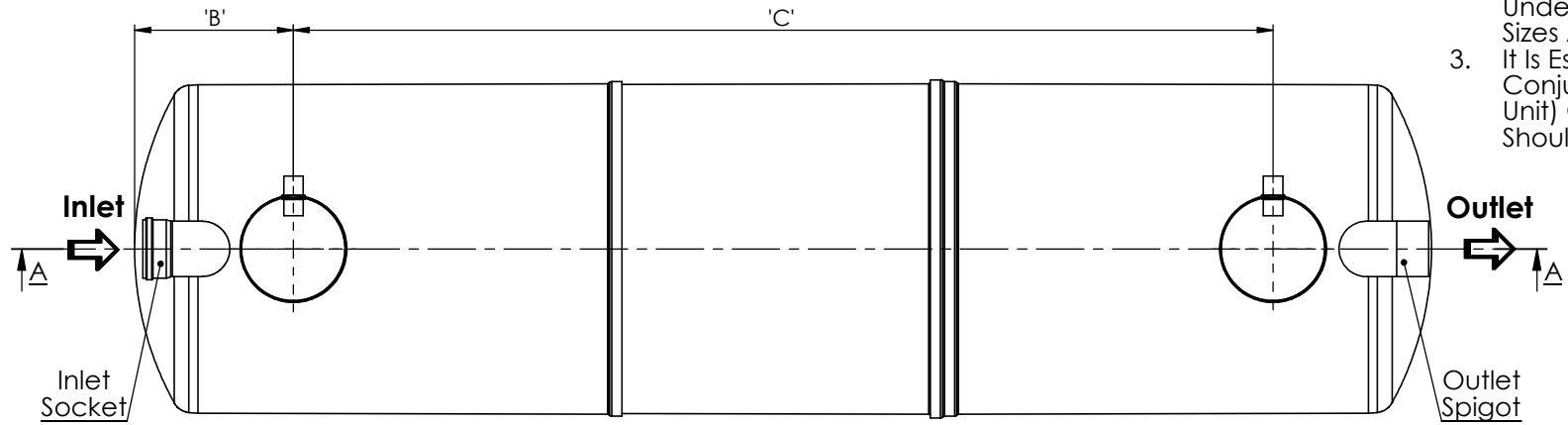
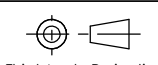



Notes: -

1. Units Can Be Provided With Extension Shafts In 0.5m Increments.
2. Standard Inlet/ Outlet Pipes Are PVCu Underground Drainage To BS5481. For Other Pipe Sizes And Types Are Available.
3. It Is Essential That This Drawing Is Read In Conjunction With The Manual (Supplied With Unit) Giving Installation Details. This Drawing Should Be Used For Dimensional Information Only.



Unit	Working Capacity	DIM 'A'	DIM 'B'	Dim 'C'	Inlet/ Outlet STD. Size	Approx Weight (kg)		Fall Across Unit
						Empty	Full	
W2/ 150	15000L	5780	900	3980	300	675	15675	50
W2/ 190	19000L	7355		5555	300	805	19805	50

Please Check with Kingspan Environmental For The Latest Issue Of This Drawing				Material : Various	Tolerance (unless stated) : n/a	Drawing : DS0856P	Page 1 of 1
Issue	Date	Drawn by	Approved by	Finish : n/a	Thickness : n/a		
02	30/10/14	L.Steward		Weight : n/a	Surface Area : n/a m ²		
Description				Modelled By :	W2/150 - W2/190 Washdown & Silt Separators (2-Stage)		
All Dimensions In mm		Scale: Do Not Scale		 Third Angle Projection		Kingspan Environmental reserve the right to alter the details of this drawing without prior notice. This drawing is copyright and may not be reproduced or used without the written permission of Kingspan Environmental	
R:\Drawing Data\02 - Sales Drawings\DS\DS - 08\DS0856P W2 150 - W2 190 Washdown & Silt Separators (2 Stage)				 Kingspan Environmental			