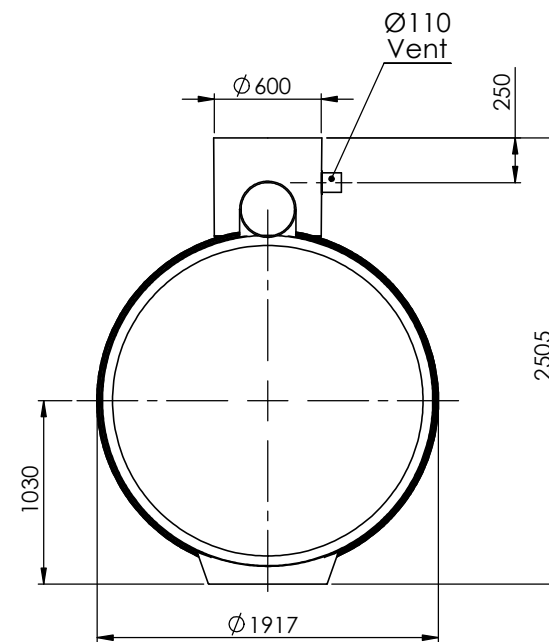
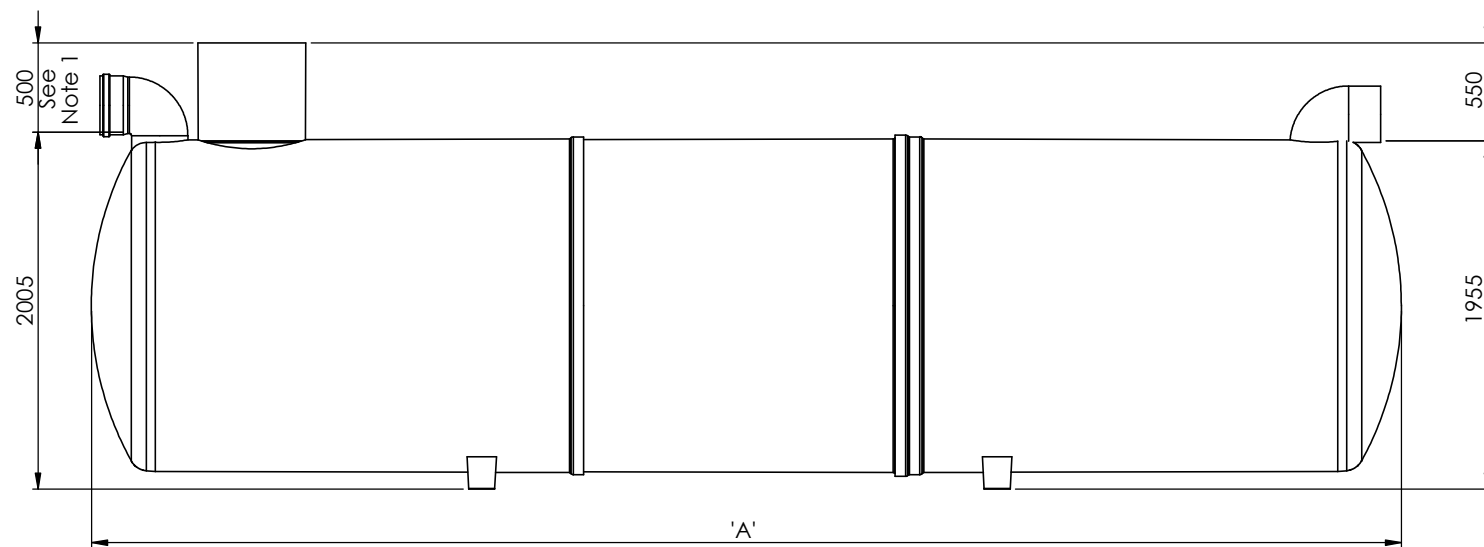
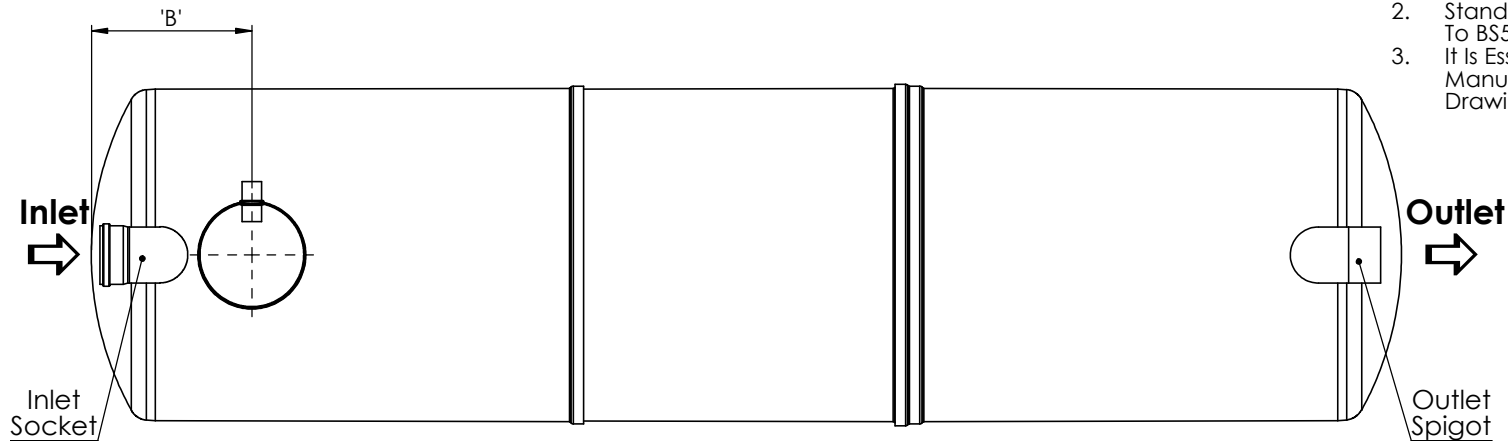


Notes: -

1. Units Can Be Provided With Extension Shafts In 0.5m Increments.
2. Standard Inlet/ Outlet Pipes Are PVCu Underground Drainage To BS5481, Other Pipe Sizes And Types Available.
3. It Is Essential That This Drawing Is Read In Conjunction With The Manual (Supplied With Unit) Giving Installation Details. This Drawing Should Be Used For Dimensional Information Only.



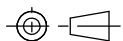
Unit	Working Capacity	DIM 'A'	DIM 'B'	Inlet/ Outlet STD. Size	Approx Weight (kg)		Fall Across The Unit
					Empty	Full	
W1/ 150	15000	5780	900	300	620	15620	50
W1/ 190	19000	7355		300	750	19750	50

Please Check with Kingspan Environmental For The Latest Issue Of This Drawing

Issue	Date	Drawn by	Approved by	Description	Material : Various	Tolerance (unless stated) : n/a	Drawing : DS0855P	Page 1 of 1
02	30/10/14	L.Steward		CC1179 - Re-drawn In Solidworks/ Change To New $\varnothing 1.8$ Cases	Finish : n/a	Thickness : n/a	W1/150 - W1/190 Washdown & Silt Separators. (1-Stage)	
					Weight : n/a	Surface Area : n/a m <sup>2</sup>		
					Modelled By :			

All Dimensions In mm

Scale: Do Not Scale



Third Angle Projection

R:\Drawing Data\02 - Sales Drawings\DS\DS - 08\DS0855P W1 150 - W1 190 Washdown & Silt Separator (1 Stage)

Kingspan Environmental reserve the right to alter the details of this drawing without prior notice. This drawing is copyright and may not be reproduced or used without the written permission of Kingspan Environmental

