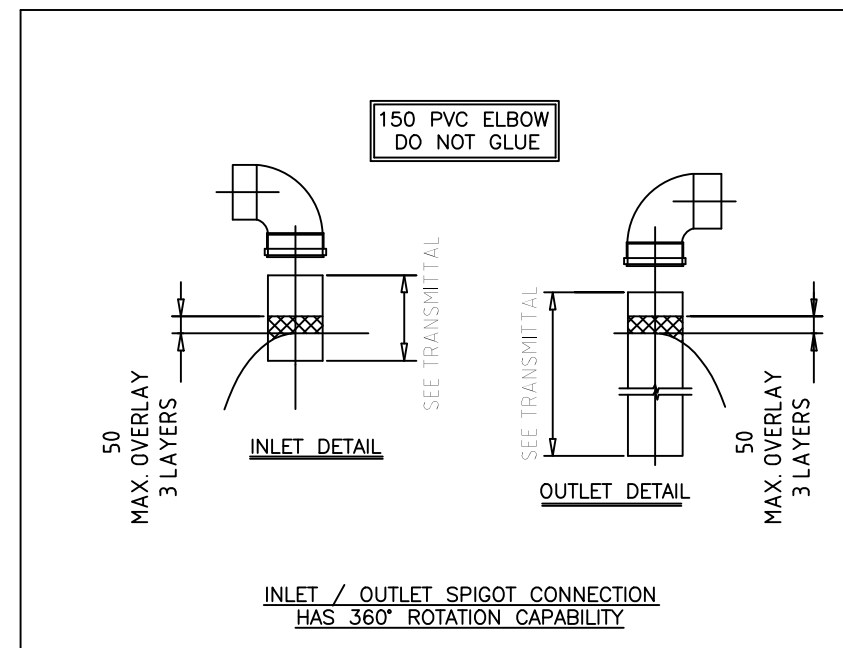
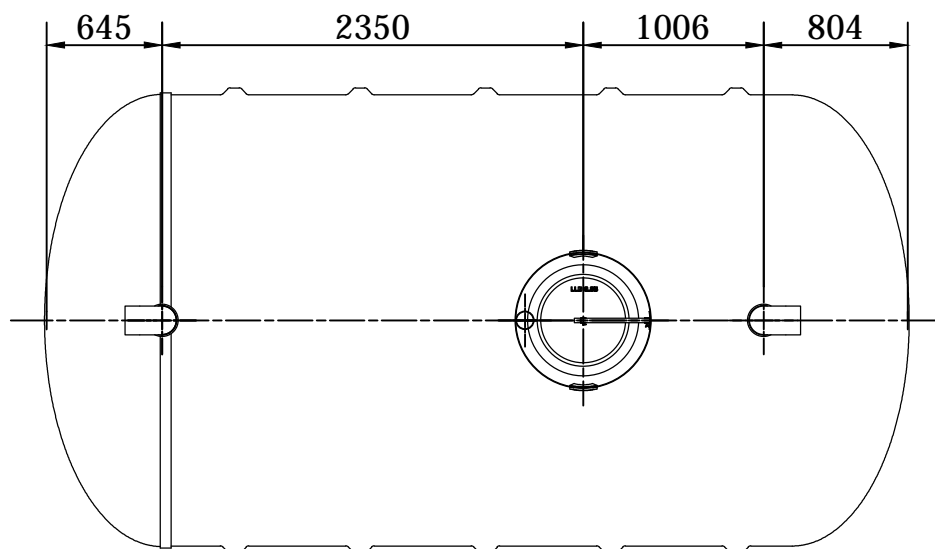
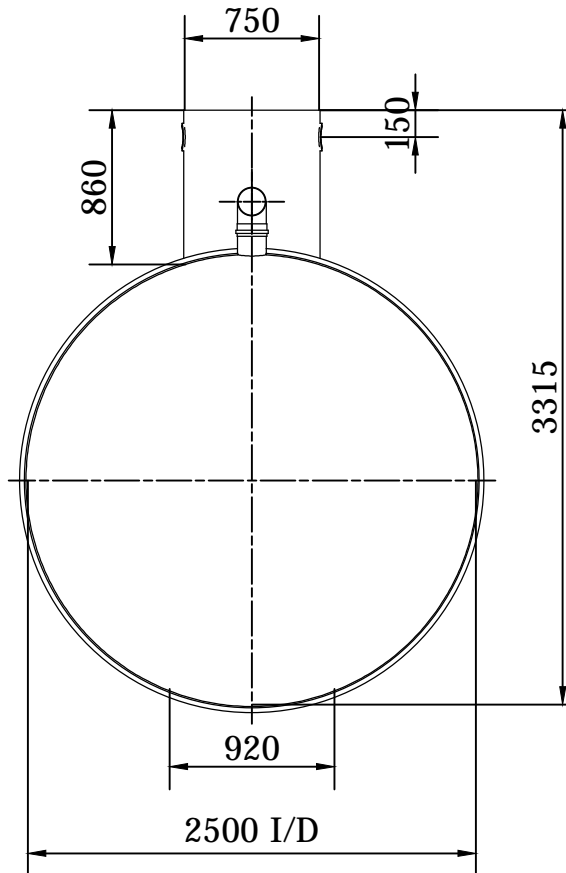
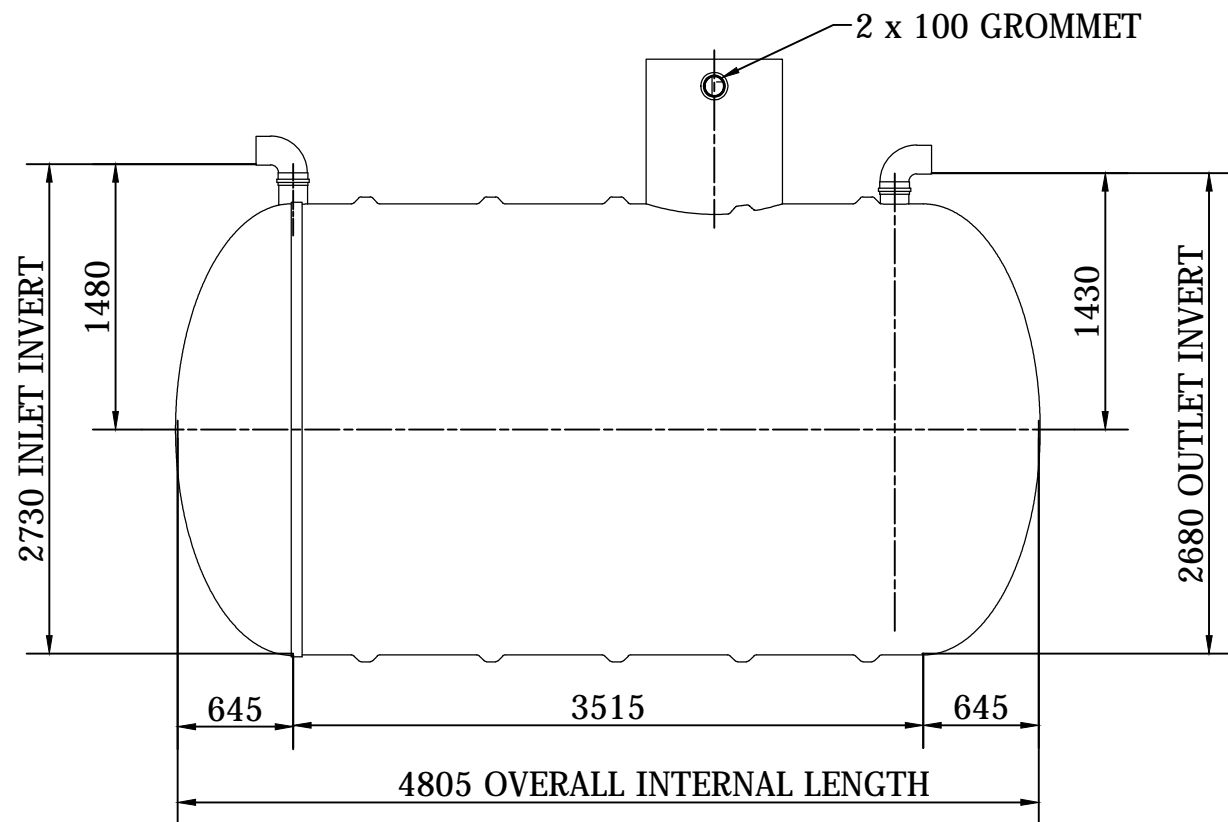


MODEL SHOWN WITH 150 OSMA PIPEWORK



1. PRODUCT INFORMATION
The Conder range of light liquid separators is produced from high grade GRP. Inlets and outlets are provided as spigots. Connections may be made by steel-banded flexible couplings, nitrile seal joints, rope-seal and mortar or any other appropriate jointing method. Ventilation specifications should be in accordance with Local Authority requirements. Vent pipework from multiple chambers must never be manifolded below ground level.
2. PERFORMANCE CHARACTERISTICS
Separators are based on the requirements stated in Draft European Standard prEN858-1 and Environment Agency guideline PPG3, in particular:-
a. The nominal size has been established from performance tests where the residual oil at the outlet is less than 5mg/l for class 1 separators and less than 100mg/l for class 2 separators.
3. MAINTENANCE AND USE
It is important to recognise that light liquid separators require regular maintenance. The period between maintenance operations can vary depending on the location and use of the separator, therefore routine inspections shall be undertaken at least every six months and a log maintained of inspection date, depth of oil, depth of silt and any cleaning that is undertaken. A Conder Envirotector should be fitted to every separator to give automatic warning that the light liquid capacity has been reached. Access to the separator should be kept clear and not used for storage.
4. PRODUCT DEVELOPMENT
In line with our policy of constant improvement and development, we reserve the right to change specification without prior notice.

PIPE SIZE VARIANTS:

100, 150, 225 PVC
300, 375 GRP

3	11.04.13	DG	KB	RP	PIPE SIZE VARIANTS ADDED
2	01.06.11	DG	RU	RP	LENGTH AMENDED
1	23.03.09	RU	PB	RP	ISSUED FOR INFORMATION
REV	DATE	BY	CHKD	APPD	DESCRIPTION

Designed by	RU 23/03/2009	Checked by	PB 23/03/2009	Approved by	RP 23/03/2009
-------------	------------------	------------	------------------	-------------	------------------

	DO NOT SCALE IF IN DOUBT ASK ALL DIMENSIONS IN MM	TOLERANCES (unless noted otherwise) GENERAL LINEAR DIMS : +/- 5mm ANGULAR DIMENSIONS : +/- 1/2~	THIS DRAWING IS THE PROPERTY OF PREMIER TECH AQUA LIMITED AND IS NOT TO BE COPIED IN PART OR WHOLE WITHOUT WRITTEN PERMISSION		SEPARATOR - FULL RETENTION - CNS60S	
					CNS60S-11-SALES	Sheet 1 / 2