

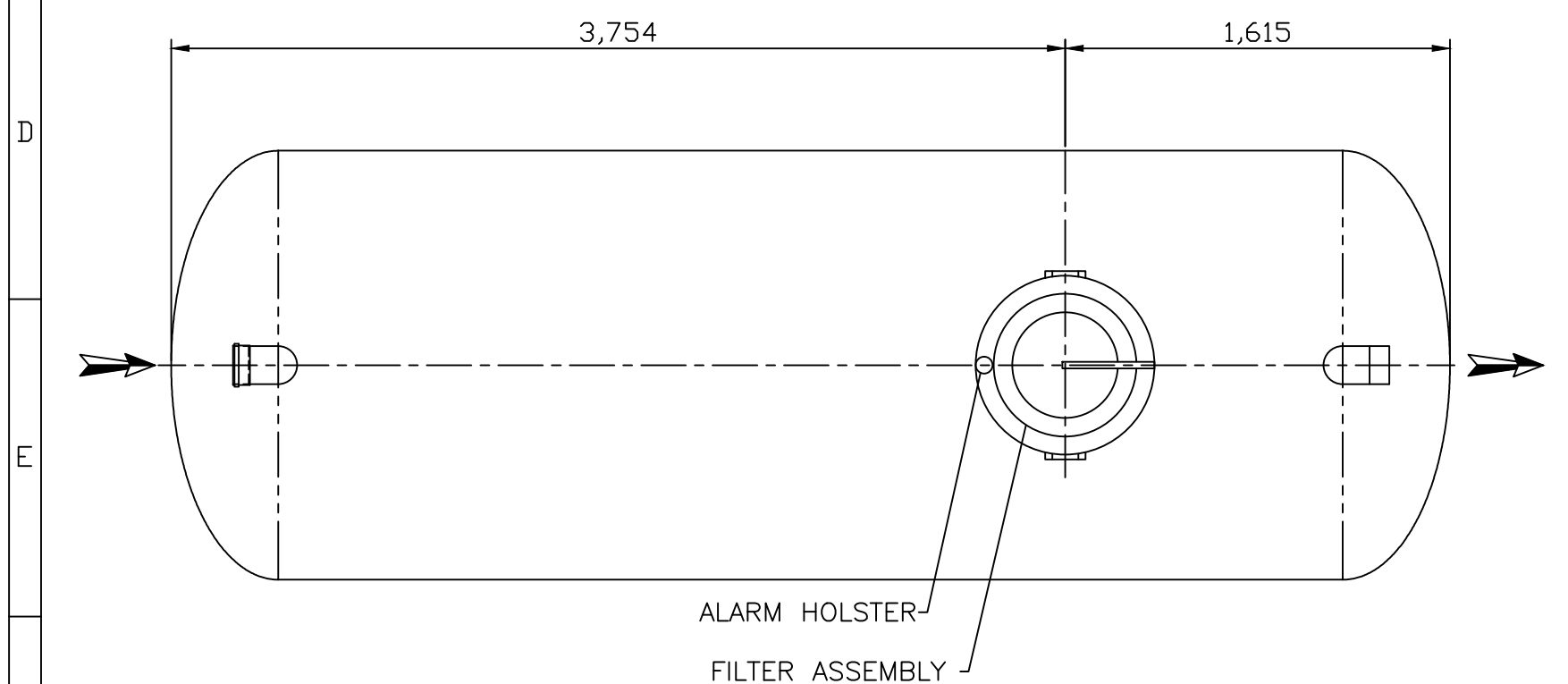
NOTES:

1. PRODUCT INFORMATION
 The Conder range of light liquid separators is produced from high grade GRP. Inlets are provided as sockets and outlets as spigots. Connections may be made by steel-banded flexible couplings, nitrile seal joints, rope-seal and mortar or any other appropriate jointing method. Ventilation specifications should be in accordance with Local Authority requirements. Vent pipework from multiple chambers must never be manifolded below ground level.

2. PERFORMANCE CHARACTERISTICS
 Separators are based on the requirements stated in European Standard EN858-1 and Environment Agency guideline PPG3, in particular:-
 a. The nominal size has been established from performance tests where the residual oil at the outlet is less than 5mg/l for class 1 separators and less than 100mg/l for class 2 separators.

3. MAINTENANCE AND USE
 It is important to recognise that light liquid separators require regular maintenance. The period between maintenance operations can vary depending on the location and use of the separator, therefore routine inspections shall be undertaken at least every six months and a log maintained of inspection date, depth of oil, depth of silt and any cleaning that is undertaken. A Conder Alarm should be fitted to every separator to give automatic warning that the light liquid capacity has been reached. Access to the separator should be kept clear and not used for storage.

4. PRODUCT DEVELOPMENT
 In line with our policy of constant improvement and development, we reserve the right to change specification without prior notice.



PIPE SIZE VARIANTS

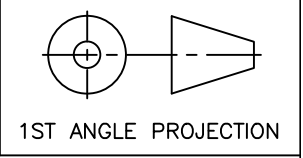
100, 150, 225 PVC

300, 375 GRP

IMPORTANT INVERT LEVEL NOTE (RIBBED TANKS ONLY!):
 The inlet and outlet Invert Level(IL) shown on this drawing is to internals of the shell unless otherwise stated. For Invert level to the outside of the shell ribs, see the conversion below:
 ø1.0m, 1.2m, 1.5m, 1.8m, 2.5m IL+50mm ('X')
 ø3.0m, 4.0m IL+75mm ('X')

INNER TANK SHELL
DETAIL 'Y'

TANKS SUPPLIED WITH LOOSE SHAFTS DO NOT COME SUPPLIED WITH A FIXING KIT. THIS IS THE RESPONSIBILITY OF THE SITE CONTRACTOR.



TITLE CNS30S/11
 FULL RETENTION SEPARATOR—CLASS 1

3	28.06.13	DG	KB	RP	M/WAY SIZE UPDATED
REV.	DATE	BY	CHKD.	APPD.	DESCRIPTION
A3	DO NOT SCALE IF IN DOUBT ASK ALL DIMENSIONS IN MM		GENERAL TOLERANCES (unless noted otherwise)		THIS DRAWING IS THE PROPERTY OF PREMIER TECH AQUA Ltd. AND IS NOT TO BE COPIED IN PART OR WHOLE WITHOUT WRITTEN PERMISSION
			GRP FABRICATED	LINEAR ± 5mm	
			MACHINED	± 2mm	± 0.2°
				± 0.5mm	± 0.1°

DRAWN BY RU	CHKD. PB	APPD. RP	SCALE NTS	DRAWING No. CNS30S/11 SALES	REVISION 3
DATE 23.03.09	DATE 23.03.09	DATE 23.03.09			