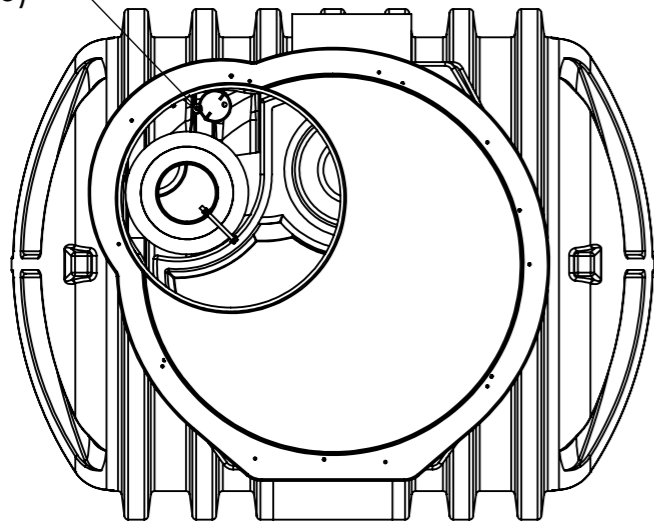


Alarm Probe Tube
(see note 6)



Unit Ref No	Nominal Flow	Dim L (mm)	Approx Empty Weight (kgs)	Fall across unit	Inlet Size 'A'	Outlet Size 'B'
NSBP003	3 L/s	1700	180	100	Ø160 mm	Ø160 mm
NSBP004	4 L/s	1700	180	100		Ø315 mm
NSBP006	6 L/s	1700	180	100	Ø315 mm	Ø315 mm

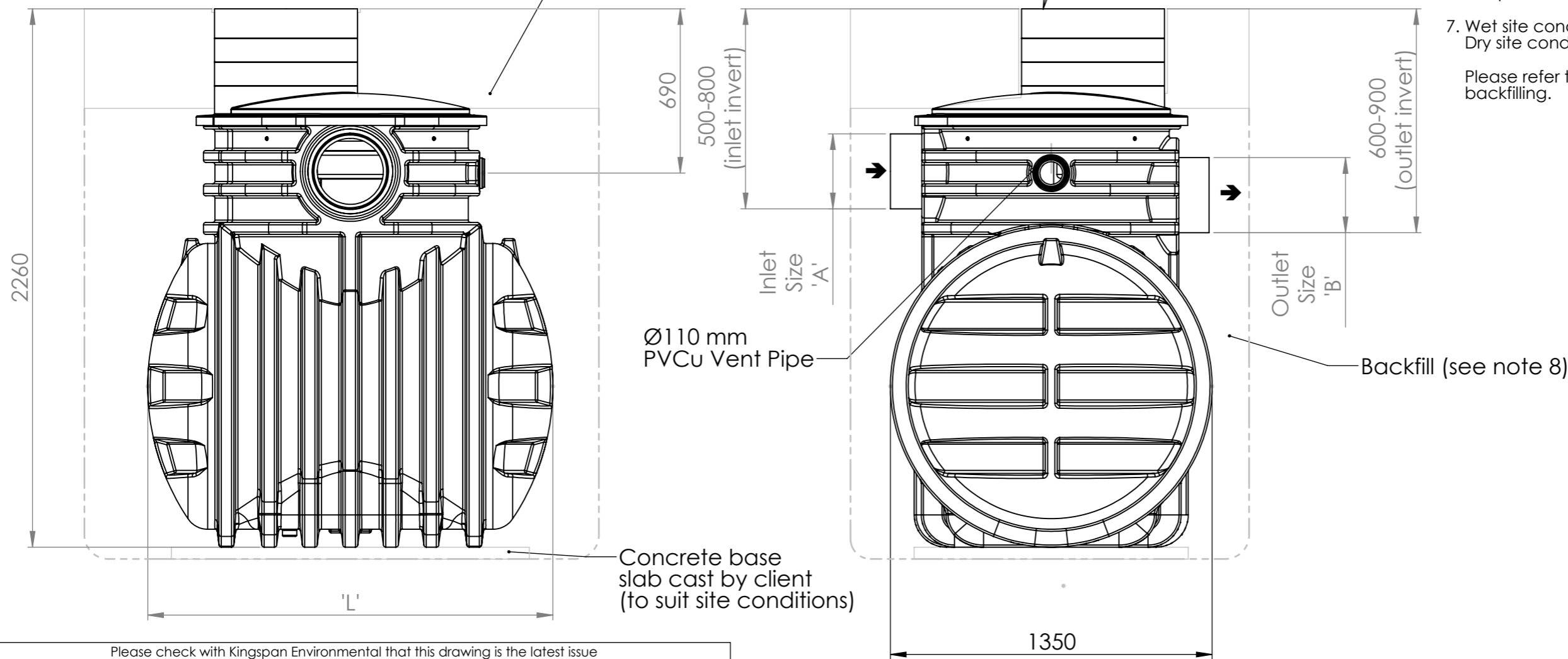
** Inlet/Outlet size A must equal B**

Notes:-

1. Inlet/Outlet pipes are plain pipe Ø315 mm PVCu. The standard EN 858 states minimum connection sizes, units ordered with different sized connections are not fully compliant with the standard.
 2. Extension necks for deeper inverts can be provided. These can be cut in 200 mm sections. Max 2.0m Invert recommended. Please ask our sales department for further details.
 3. All units require appropriate cover and frame to suit applied loadings.
 4. This drawing should be used for dimensional information only. It is essential that this drawing is read in conjunction with the installation guidelines supplied with the unit. (Copies are available from our sales dept.)
 5. This drawing is also available on our website www.kingspanenv.com.
 6. A Ø76 mm tube (internal) is supplied to house an oil alarm probe.
 7. Wet site conditions - Concrete Backfill
Dry site conditions - Pea Shingle Backfill
- Please refer to installation manual for details of correct backfilling.

Concrete cover slab cast by client
(to suit wet site conditions)

Neck can be trimmed
down to required invert



Please check with Kingspan Environmental that this drawing is the latest issue

Issue	Date	Drawn by	Approved by	Description
07	15/12/11	S.Gill		CC1020
06	15/12/10	S.Gill		CC 934
05	24/03/10	S.Gill		CC817
04	24/02/10	S.Gill		CC794
03	23/02/10	S.Gill		Table Edited
02	23/09/09	S.Gill		Drawing Description Changed
01	19/03/09	S.Gill		Initial Release

Material : n/a	Tolerance : n/a
Finish : n/a	Thickness : n/a
Weight : Kgs n/a	Surface Area : n/a

Drawing : NSBP003,004 & 006 Sales Drawing

Page 1 of 1

Drg No: DSO993

All dimensions in mm

Scale: Not to scale

Kingspan Environmental reserve the right to alter the details of this drawing without prior notice. This drawing is copyright and may not be reproduced or used without the written permission of Kingspan Environmental.

