

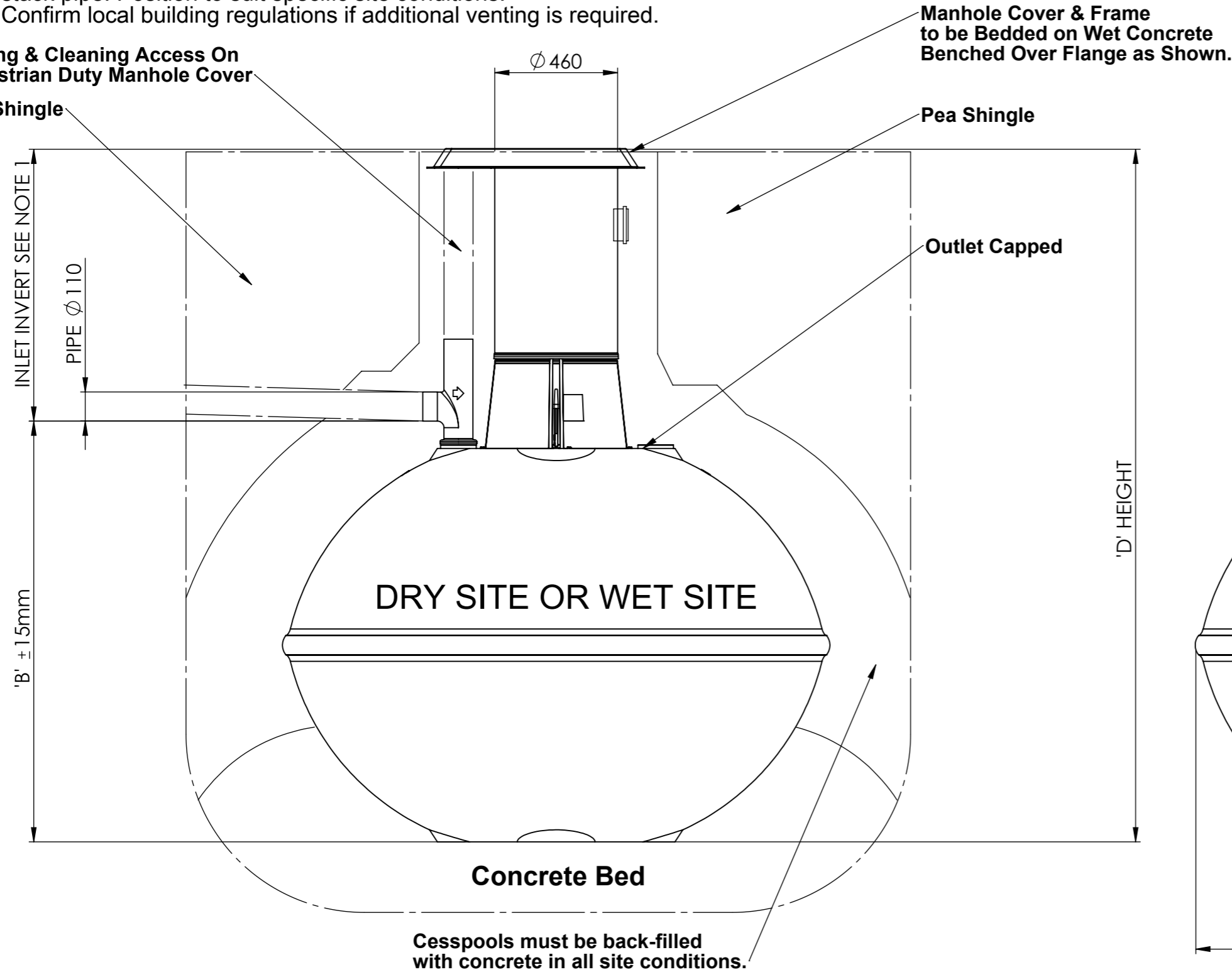
**Notes:**

1. Standard inlet is PVCu underground drainage to BS4660 with seals.
2. Tanks have an inlet depth of 1.0m. Upon request tanks may have an invert depth of 1.5m. Do not extend the tank neck.
3. This drawing should be used for dimensional information only. Refer to installation guidelines.
4. Additional ventilation can be achieved on the incoming drain, via a stack pipe. Position to suit specific site conditions.
5. Confirm local building regulations if additional venting is required.

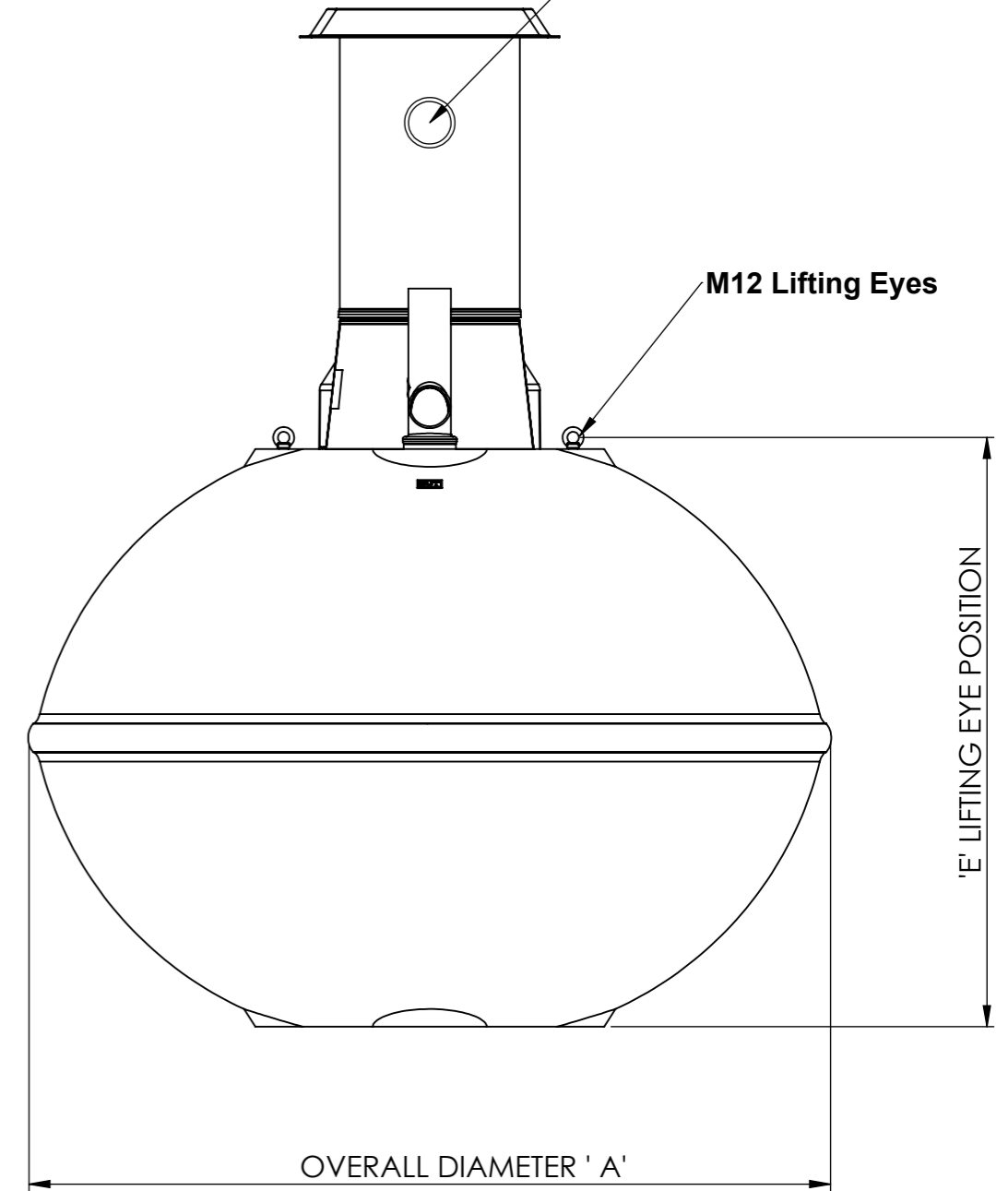
Capacity Litres	Dimensions			Cover & Frame
	A' Ø	B'	D'	
2800	2075	1599	2599	CFL460E
3800	2075	1819	2810	CFL460E
4600	2084	1984	2984	CFL460E

**Roding & Cleaning Access On Pedestrian Duty Manhole Cover**

**Pea Shingle**



**Alternative Vent Connection**



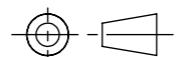
Please Check with Environmental Treatment Systems Limited For The Latest Issue Of This Drawing				
Issue	Date	Drawn by	Approved by	Description
02	25.04.12	CS		CC1014 - Rota-moulded Inlet & Outlet Pipes Introduced.
01	05.02.09	JC		CC682

Material :	Tolerance (unless stated) :
Finish :	Thickness :
Weight :	Surface Area : m <sup>2</sup>
Modelled By :	

**Drawing : DS0877P** Page 1 of 1  
 2800, 3800 & 4600 LITRE ALPHA CESSPOOL TANKS

All Dimensions In mm

Scale: Do Not Scale



Third Angle Projection

Kingspan Environmental reserve the right to alter the details of this drawing without prior notice. This drawing is copyright and may not be reproduced or used without the written permission of Kingspan Environmental

