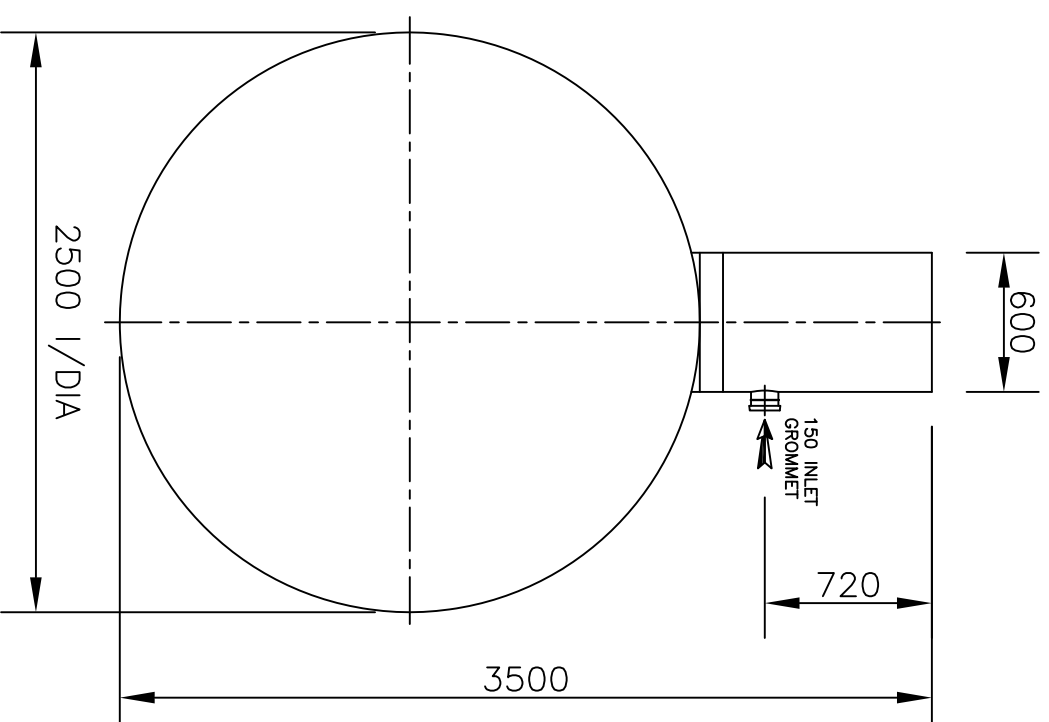
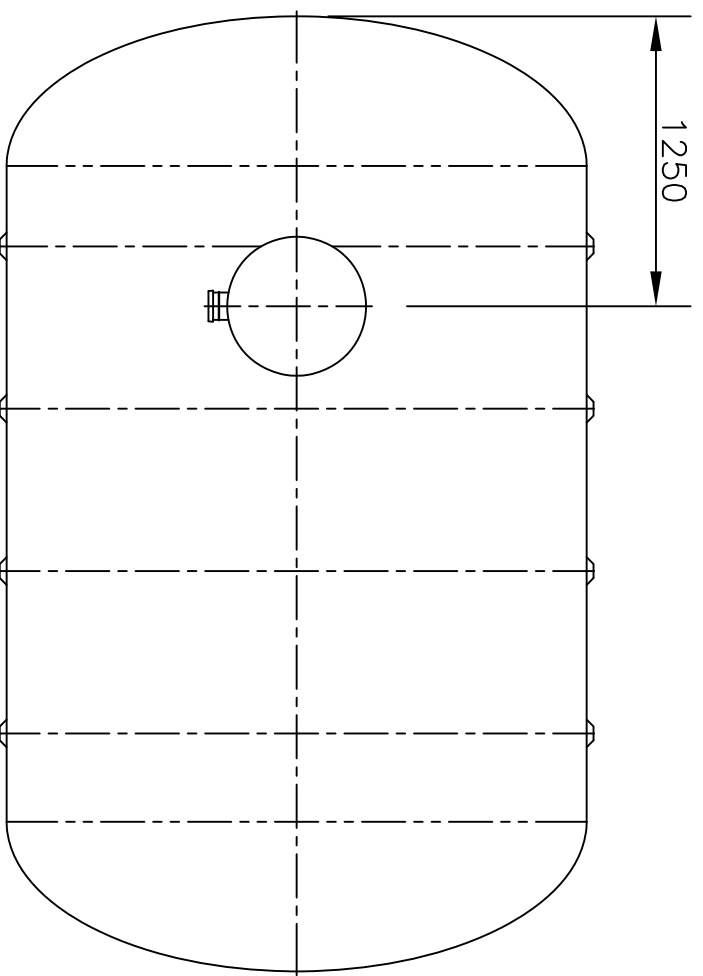
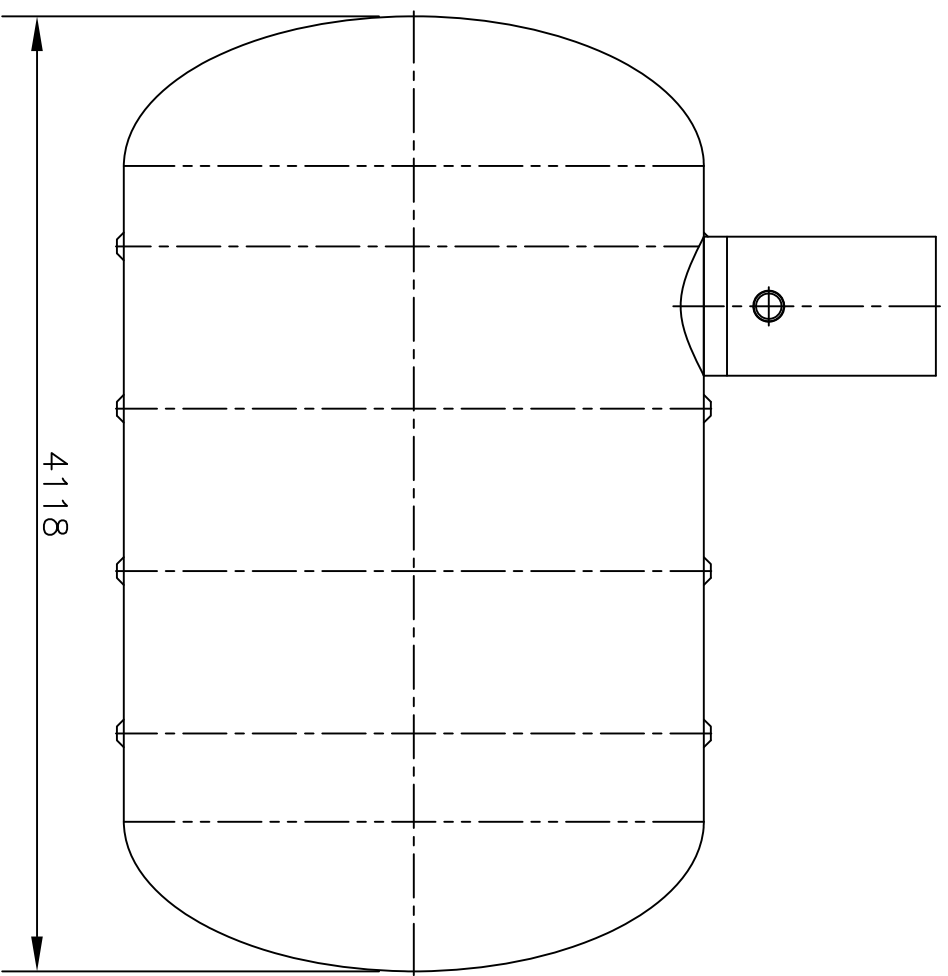
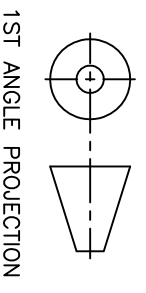


1 2 3 4 5 6



**IMPORTANT INVERT LEVEL NOTE (RIBBED TANKS ONLY):**  
 The inlet and outlet Invert Level(IL) shown on this drawing is to internals of the shell unless otherwise stated.  
 For Invert level to the outside of the shell ribs, see the conversion below:  
 $\phi 1.0m, 1.2m, 1.5m, 1.8m, 2.5m$  IL +50mm ('X')  
 $\phi 3.0m, 4.0m$  IL +75mm ('X')

TANKS SUPPLIED WITH LOOSE SHAFTS DO NOT COME SUPPLIED WITH A FIXING KIT.  
 THIS IS THE RESPONSIBILITY OF THE SITE CONTRACTOR.



TITLE  
 CP18.0 - 18,000L  
 CESSPOOL

DRAWN BY RU	CHKD. PB	APPD. RP	SCALE NTS	DRAWING No. CP18.0 SALES	REVISION 1
DATE 23.03.09	DATE 23.03.09	DATE 23.03.09			

1	23.03.09	RU	PB	RP	ISSUED FOR INFORMATION		DESCRIPTION
REV.	DATE	BY	CHKD.	APPD.			
A3	DO NOT SCALE IF IN DOUBT ASK ALL DIMENSIONS IN MM			GENERAL TOLERANCES (unless noted otherwise)		THIS DRAWING IS THE PROPERTY OF PREMIER TECH AQUA Ltd. AND IS NOT TO BE COPIED IN PART OR WHOLE WITHOUT WRITTEN PERMISSION	
					GRP FABRICATED MACHINED	LINEAR $\pm 5mm$ $\pm 2mm$ $\pm 0.5mm$	ANGLE $\pm 0.5^\circ$ $\pm 0.2^\circ$ $\pm 0.1^\circ$