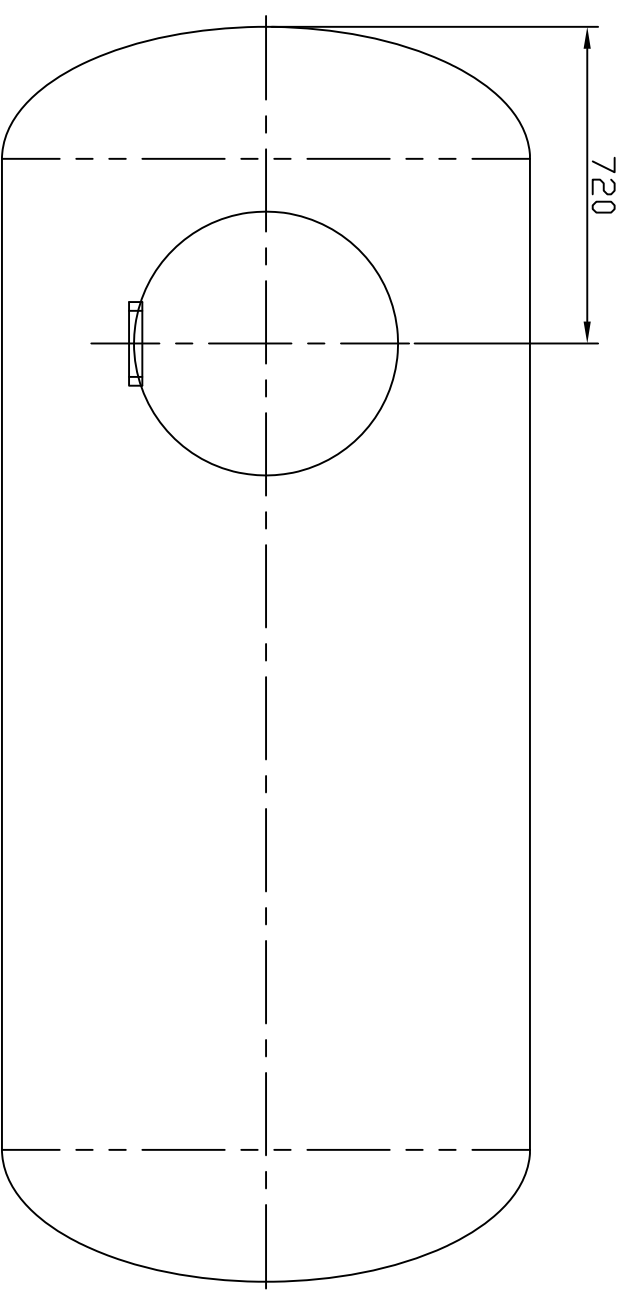
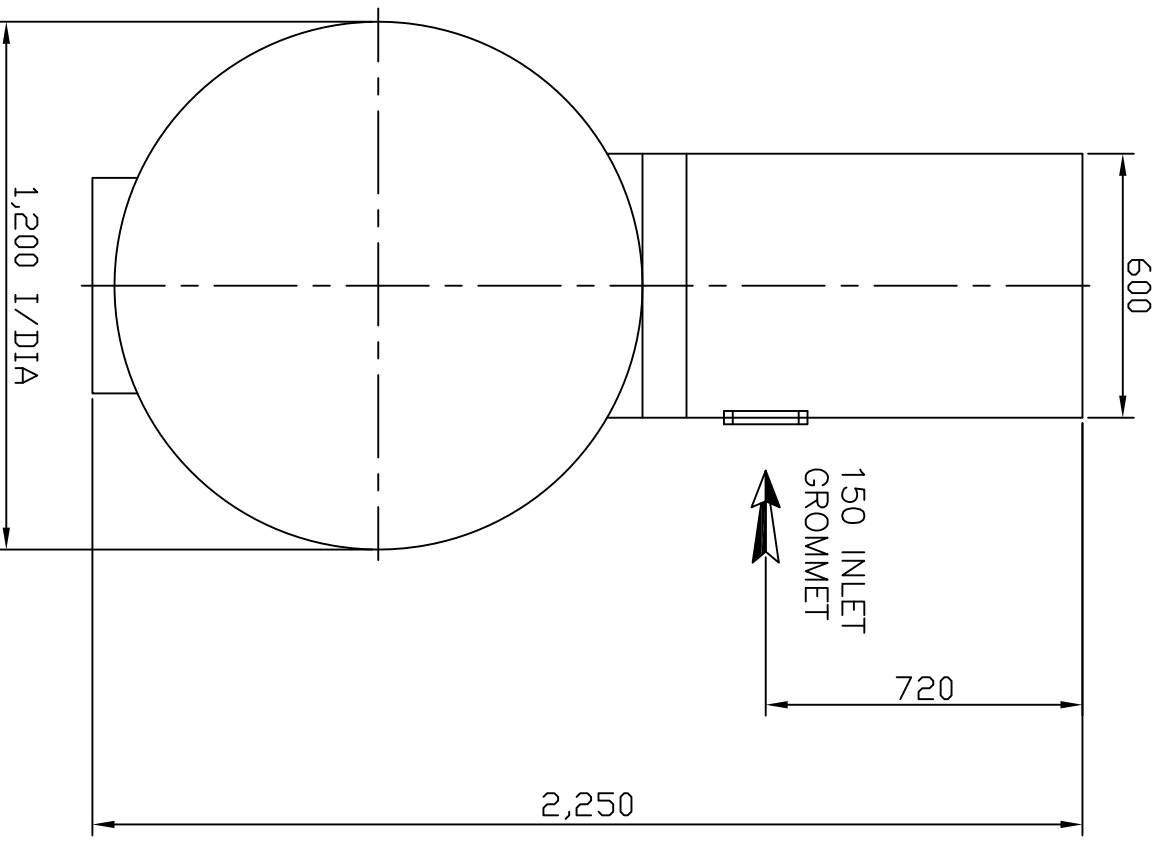
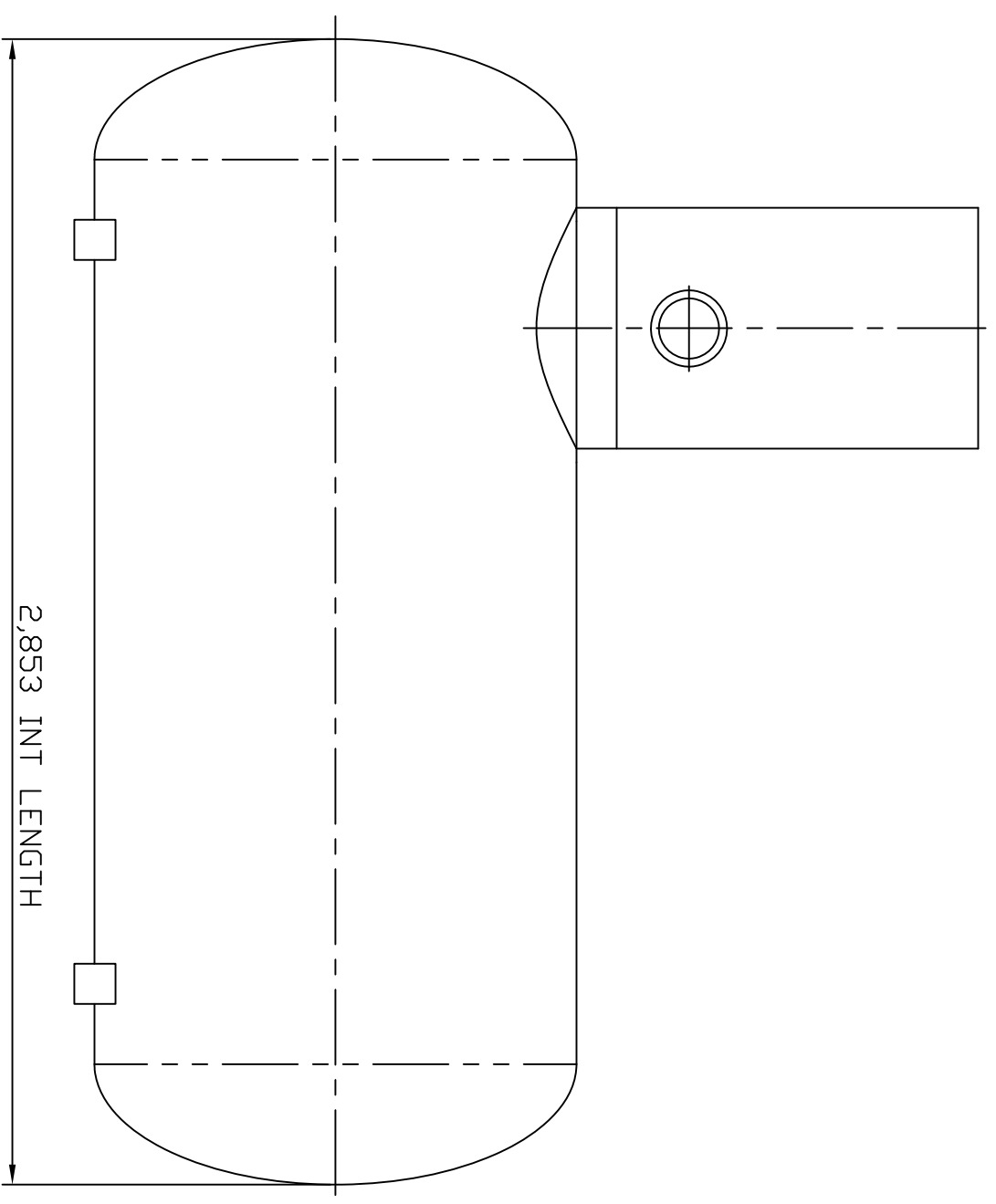
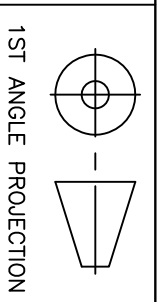
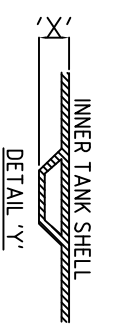


1 2 3 4 5 6



IMPORTANT INVERT LEVEL NOTE (RIBBED TANKS ONLY):
 The inlet and outlet Invert Level(IL) shown on this drawing is to internals of the shell unless otherwise stated.
 For Invert level to the outside of the shell ribs, see the conversion below:
 $\phi 1.0m, 1.2m, 1.5m, 1.8m, 2.5m$ IL +50mm ('X')
 $\phi 3.0m, 4.0m$ IL +75mm ('X')

TANKS SUPPLIED WITH LOOSE SHAFTS DO NOT COME SUPPLIED WITH A FIXING KIT.
 THIS IS THE RESPONSIBILITY OF THE SITE CONTRACTOR.



REV.	DATE	BY	CHKD.	RU	RU	FEET ADDED	DESCRIPTION
2	16.08.11	DG	RU	RU			THIS DRAWING IS THE PROPERTY OF PREMIER TECH AQUA Ltd. AND IS NOT TO BE COPIED IN PART OR WHOLE WITHOUT WRITTEN PERMISSION
DO NOT SCALE IF IN DOUBT ASK ALL DIMENSIONS IN MM							
GENERAL TOLERANCES (unless noted otherwise)							
GRP FABRICATED		LINEAR		± 5mm ± 2mm ± 0.5mm		ANGLE ± 0.5° ± 0.2° ± 0.1°	

DRAWN BY		CHKD.		APPD.		SCALE		DRAWING No.		REVISION	
RU		PB		RP		NTS		CP3.0 SALES		2	
DATE		DATE		DATE							
23.03.09		23.03.09		23.03.09							
TITLE CP3.0 - 3,000L CESSPOOL											